

f. Removing the Combustion (Exhaust) Blower

1. The combustion blower is mounted in the bottom right rear of the appliance. **Figure 33.1.**
2. Use an 11/32 nut driver to loosen all six nuts, but do not remove. Rotate the blower and remove from the housing. **Figure 33.2.**
3. Set the blower on the top of the housing. You do not need to disconnect the wires. **Figure 33.3.**
4. Vacuum out the exhaust area. **Figure 33.4.**

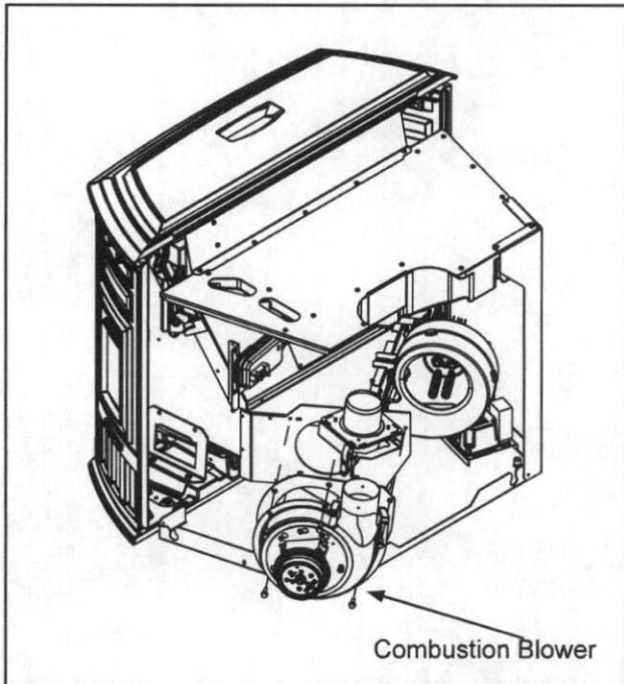


Figure 33.1

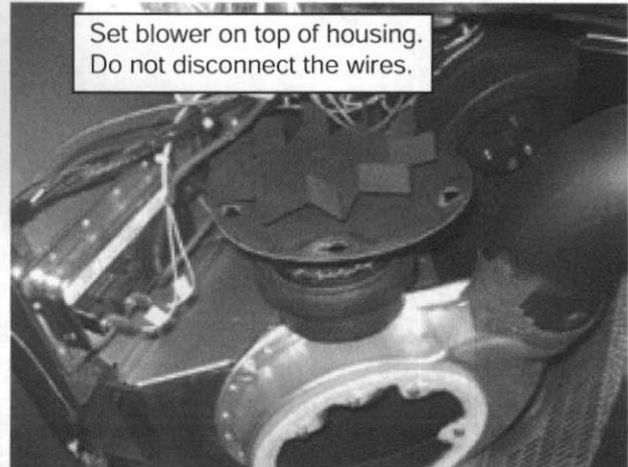


Figure 33.3

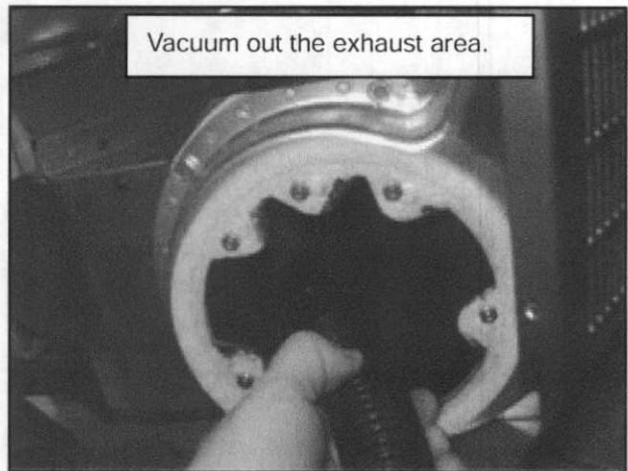


Figure 33.4

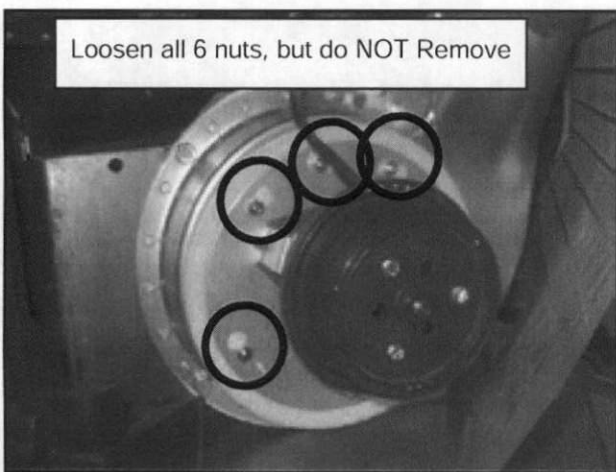


Figure 33.2